

# 398-SL MUSTARD DISPENSER

PRINCE CASTLE INC.   
WORLDWIDE



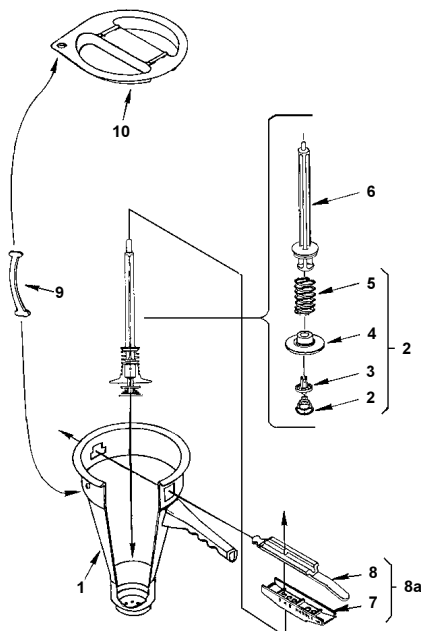
Model 398-SL

## STANDARD FEATURES

- Positive pump action provides accurate portion every time.
- Lightweight plastic shell.
- Includes cover with tether attachment to reduce loss.
- Easy adjustment—no tools required.
- All internal parts are colored yellow, providing easy identification.
- Capacity 27 oz. (.8 liters)
- Portion size  $\frac{1}{8}$  tsp. (0.7 ml), improved portion spread.

## SPECIFICATIONS DIMENSIONS

MODEL NUMBER	HEIGHT IN. (CM)	DIAMETER IN. (CM)	SHIPPING WT. LB. (KG.)	SHIPPING CUBE CU. FT. (CU. M.)
398-SL	9 $\frac{1}{2}$ (24.13)	6 $\frac{1}{2}$ (16.51)	3 (1.4)	.82 (.023)



ITEM	PART NO.	DESCRIPTION
1	398-30	Container w/Handle
2	404-7	Check Valve Spring
3	398-8	Check Valve
4	398-9	Cylinder
4a	398-13	Cylinder, Valve & Spring Assy. (Items 2,3,4,5)
5	398-20	Piston Spring
6	398-6	Piston Push Rod
7	398-4	Adjusting Cam
8	398-3	Lever
8a	398-14	Lever & Cam Assy. (Items 7 & 8)
9	404-13S	Tether (Pkg. of 6)
10	404-2S	Lid w/Tether (Pkg. of 3)

398/404SL-0200

DISPENSERS

398-SL