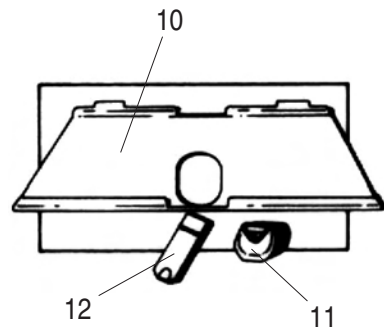
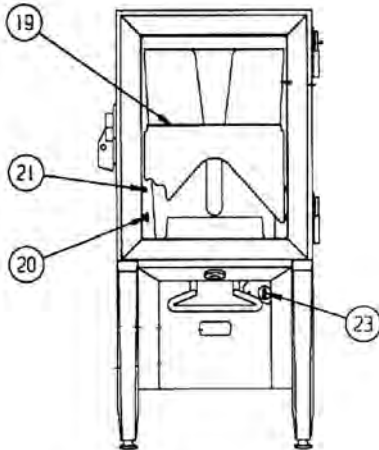


date: \_\_\_\_\_



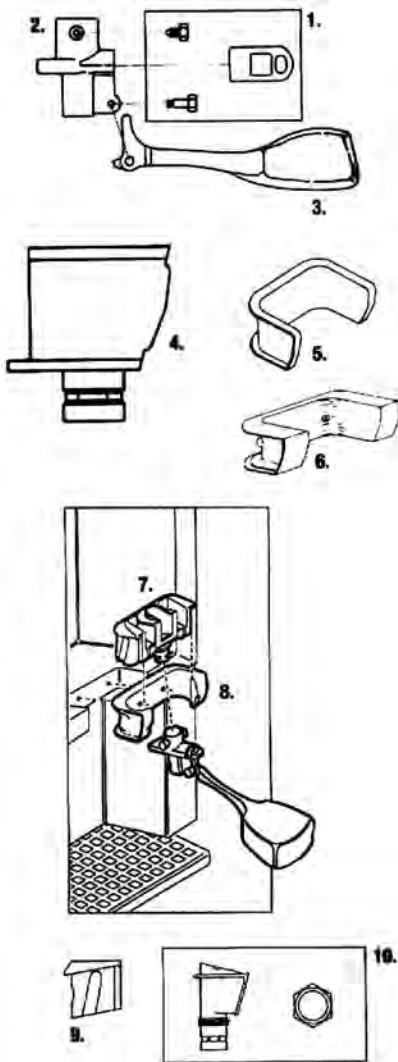
quantity	art. no.	description	price in €
<b>Components</b>			
_____	30021	Thermometer – complete	135,00
_____	30051	Door lock (incl. two-piece door hinge)	47,50
_____	30125	10. Baffle	52,50
_____	30102	Drip pan bracket	25,00
_____	35030	Drip pan (SK5)	52,50
_____	35021	Drip pan (SK10)	59,00
_____	35031	Drip pan (SK15)	93,00
_____	35032	Draining table (SK5)	62,50
_____	35022	Draining table (SK10)	65,00
_____	35033	Draining table (SK15)	72,50
_____	30146	19. Loading platform (SK10)	102,50
_____	30143	19. Loading platform (SK15)	125,50
_____	30119	20. Mounting bolt loading platform	10,50
_____	30120	21. Lock screw loading platform	5,15
_____	30116	23. Thermostat	78,00
_____	30112	11. Valve support cap – white	3,15
_____	30109	12. Plastic pinch valve – grey	7,35
<b>Accessories</b>			
_____	35020	Set of magnetic stickers, consisting of: 'Semi-skimmed milk'; 'Buttermilk' and 'Out of order'	14.00
_____	31935	Ten-piece set of hose clamps (clip model)	14.00
_____	35040	Dispenser cleaning brush	9.50
_____	35041	Drain plug cleaning brush	19.50
_____	35042	HACCP cleaning set	70.50
_____	SKRIK	Cleaning instruction card (plasticized)	FREE
_____	35019	Stainless steel dispenser rack	32.10

**Prices** Net. Prices valid as of April, 2008  
**Delivery** Ex works  
**Payment conditions** Net within 2 weeks after the invoice date

Company name	Customer ID	Location/ref.
Contact person	Telephone	Fax
Delivery address	Invoice address	
Zip code/city	Country	

**Please send this per fax to + 31 (0)30 - 695 72 44 or call us at + 31 (0)30 - 601 74 42**

date: \_\_\_\_\_



quantity	art. no.	description	price in €
<b>Valve arm components</b>			
_____	30050	1. Set of valve housing components, consisting of: 2 valve housing screws, 1 valve arm bolt, and 1 pinch valve	25.00
_____	30031	2. Valve housing	68.50
_____	30032	3. Valve arm	84.00
_____	30030	4. Valve support - type a - made of grey plastic The existing valve support is pushed into the dispenser from the front backward	51.50
_____	30027	5. Set of 2 double corner profiles -0- (without holes) per piece	16.00
_____	30034	6. Set of 2 double corner profiles - type a - (with holes) per piece	20.00
_____	30026	7. Three-piece valve support - type b - complete This valve support model is pushed into the dispenser from the top down	105.00
_____	30033	8. Two-piece set of double corner profiles - type b - per piece	20.00
_____	30039	9. Valve support - type b - loose plastic grey	50.00
_____	30052	10. Valve nipple - type b - incl. barrel nut two-piece metal component	55.00
<b>Miscellaneous</b>			
_____	30021	Thermometer -1- for SK1/2/3	135.00
_____	30116	Thermostat for SK1/2/3	8.00
_____	30029	Compressor 220V 50 Hz for SK1/2	282.50
_____	31935	Ten-piece set of hose clamps (clip model)	14.00
_____	30049	Lock (incl. keys) for SK100/200/300	50.00
_____	30051	Two-piece door lock incl. door hinge (SK1/2/3)	47.50
_____	35020	Set of magnetic stickers, consisting of: 'Semi-skimmed milk'; 'Buttermilk' and 'Out of order'	14.00
_____	35019	Stainless steel dispenser rack	32.10
_____	35040	Dispenser cleaning brush	9.50
_____	35041	Cleaning brush drain plug	19.50

**Prices** Net. Prices valid as of April, 2008  
**Delivery** Ex works  
**Payment conditions** Net within 2 weeks after the invoice date

Company name	Customer ID	Location/ref.
Contact person	Telephone	Fax
Delivery address	Invoice address	
Zip code/city	Country	

**Please send this per fax to + 31 (0)30 - 695 72 44 or call us at + 31 (0)30 - 601 74 42**